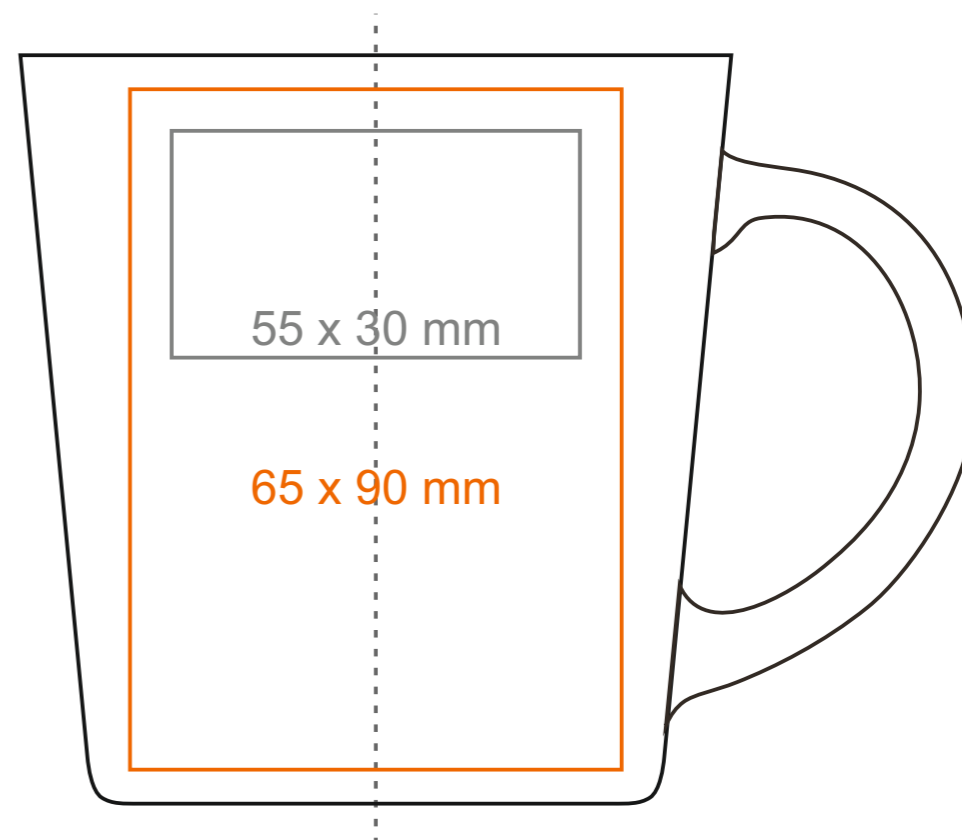
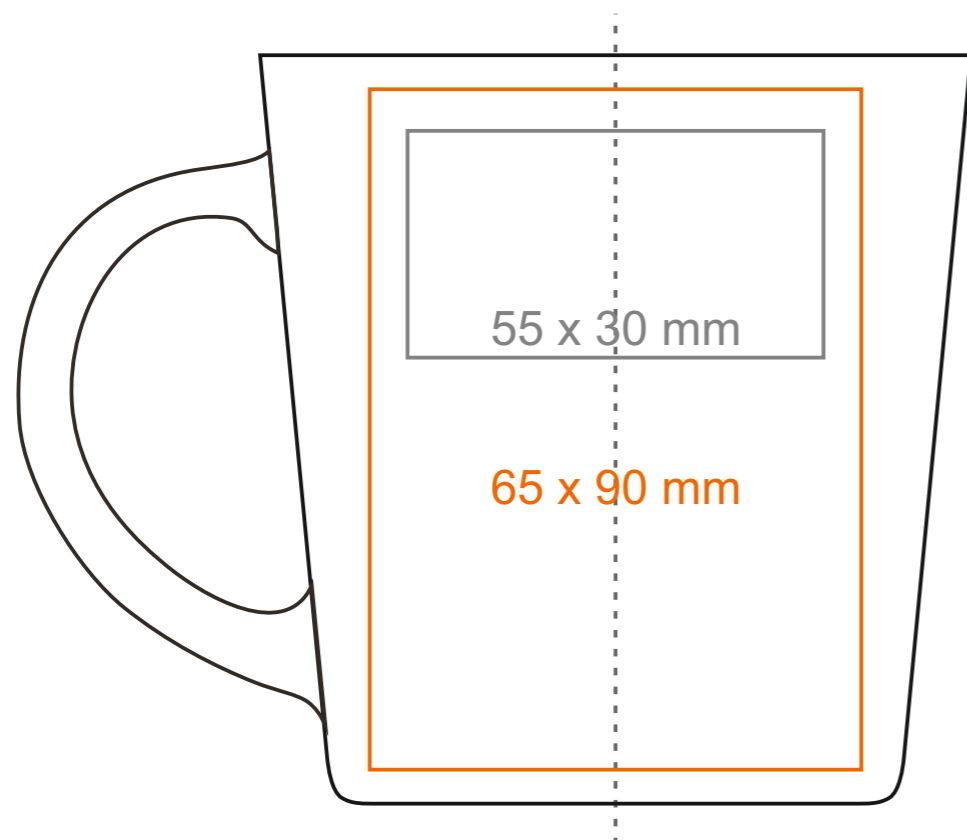
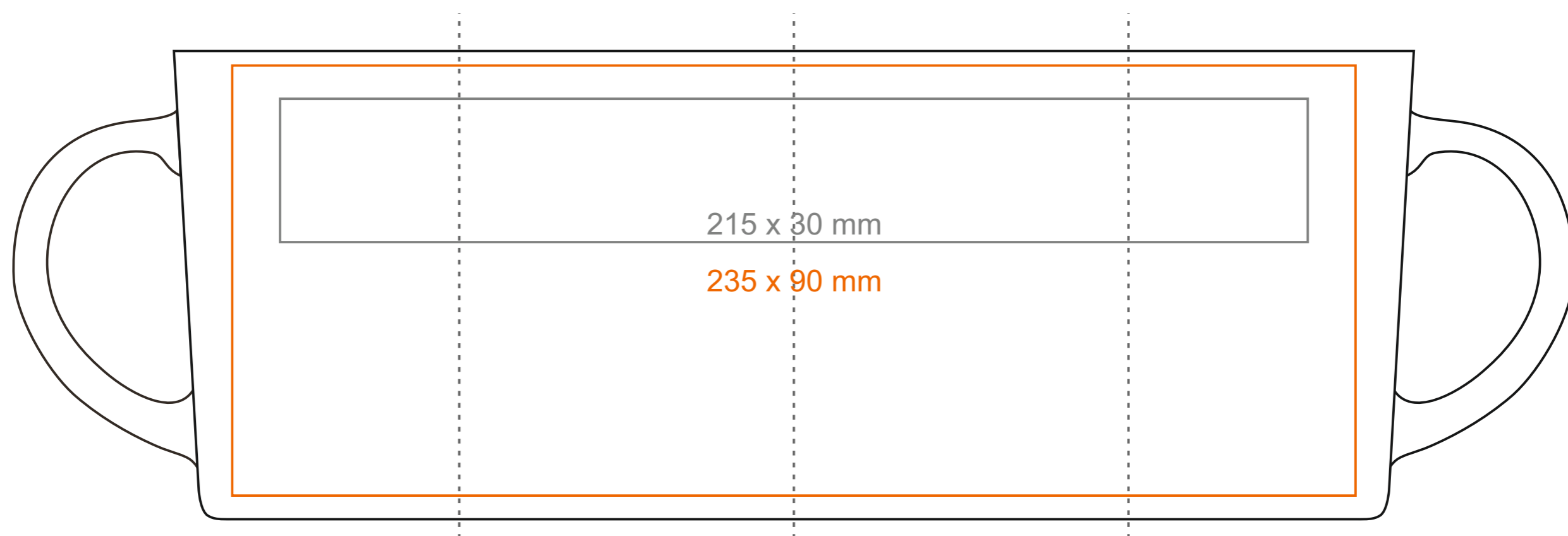


M_549 Berg Duo

380 ml / h: 98 mm / Ø 94 mm



- Imprint on the handle
- Imprint on the inside
- Imprint on the bottom inside
- Imprint on the bottom outside

- 80 x 12 mm
- 50 x 20 mm
- Ø 40 mm
- Ø 45 mm

*In the case of projects for transfer print running outside of the standard print area, please contact our sales department.

[How to prepare print material](#)

meaning

- Transfer Print
- Sensitive Touch
- Direct Print